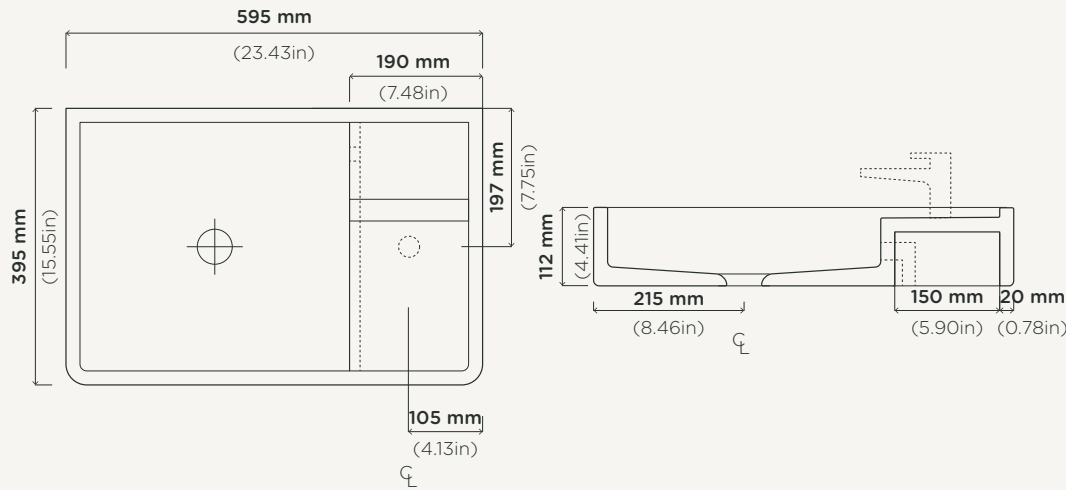


Elevation View



Plan View

Section View

Shelf 03

Material	Ultra High Performance Concrete (UHPC)
Weight	17kg (37.48lbs)
Dimensions	L595mm x W395mm x H112mm (L23.43in x W15.55in x H4.41in)
Bowl Capacity	9.1L (2.4gal)
Tap Hole (Optional)	50mm (1.97in)
Overflow Waste	32mm Waste (for basins with overflow only)
Overflow Finish (Optional)	Chrome, White, Black or Brass
Waste	32mm (1.25in) or 40mm (1.50in) Standard Non-Overflow Waste Only (not provided by Nood). If you select the overflow model you can only use a 32mm non overflow waste.
Warranty	Refer to Warranty for specific information
Install Guide	installnood.co
Options	Surface Mount / Wall Mount / Tap Hole / Overflow
Wall Mount	Mount bracket to wall after tiling - basin back has a recess to cater for bracket
Orientation	Right Shelf Option Only

For accurate colour matching, we recommend using our sample kits or visiting an authorised reseller. Natural variations and characteristics, such as patina and pinholes, are to be expected in concrete and do not constitute as defects. As this product is handmade, sizing is subject to slight variation.

[View Online](#)